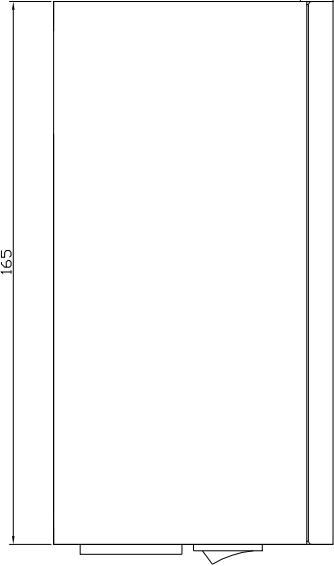
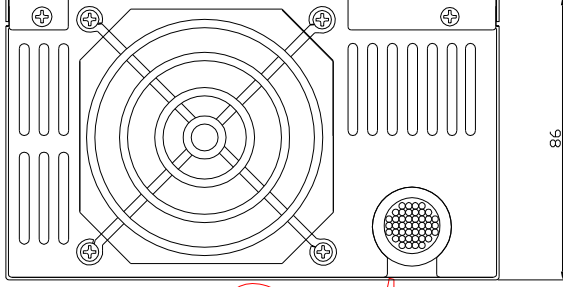
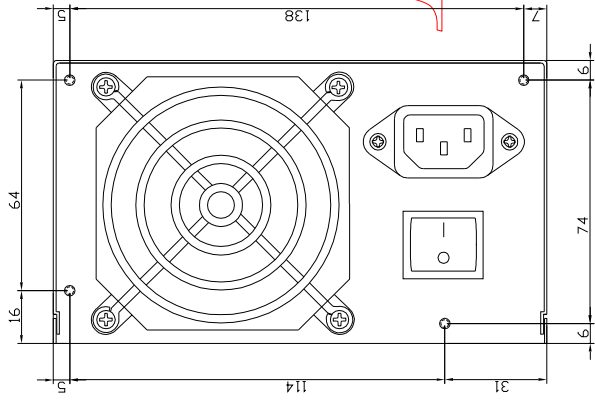
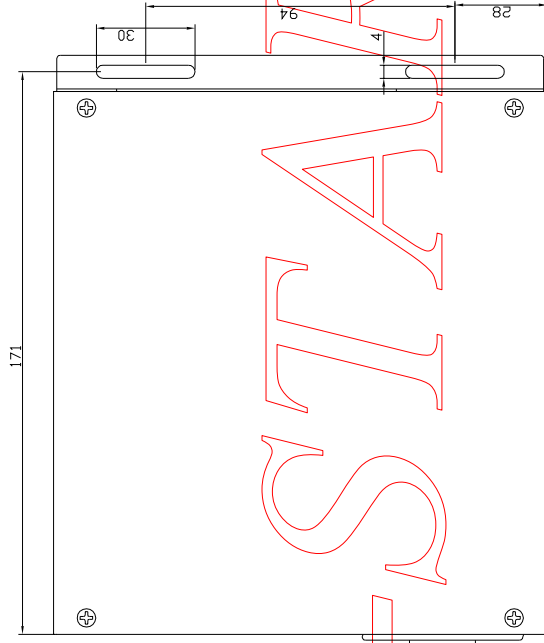
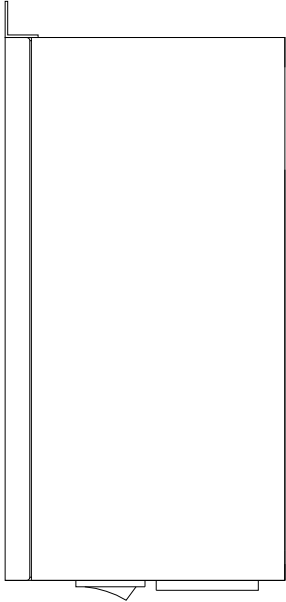


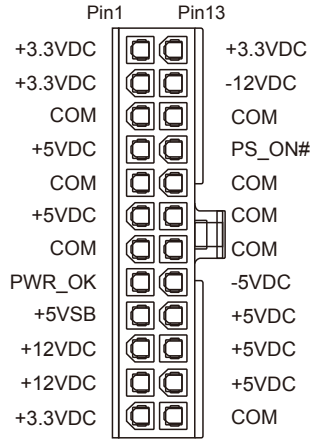
REVISIONS			
REV	DESCRIPTION	SIGN	DATE



TOLERANCES		MATERIAL		UNIT		PART NO	
.X=	+/- 0.25	REMARK	SCLAE	MODEL	TC-xxxPF		
.XX=	+/- 0.100	APPD	DWG NO	NAME			
			CKD	DRAWN			
				SHEET			
				DATE			

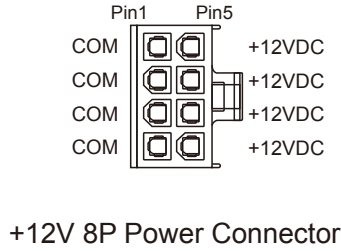


# PINOUPS OF CONNECTORS

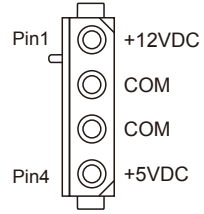


Main Power Connector

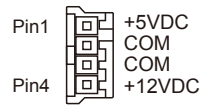
- |                |                 |             |
|----------------|-----------------|-------------|
| +12V = yellow  | +5VSB = brown   | -5V = white |
| +5V = red      | PS_ON# = gray   | -12V = blue |
| +3.3V = purple | PWR_OK = orange | COM = black |



+12V 8P Power Connector



Peripheral Power Connector



Floppy Drive Power Connector

