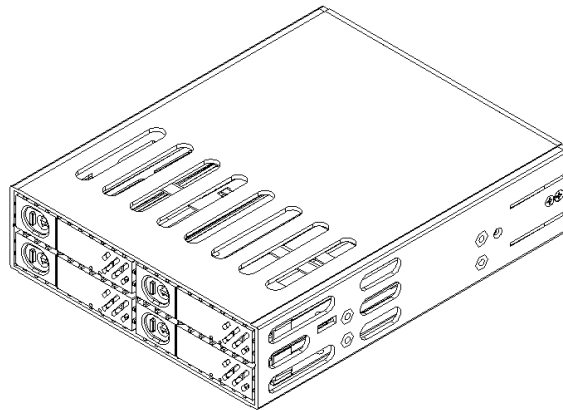


# FANTEC MR-SA1042 SAS Quartet Mobile Rack

## User's Manual

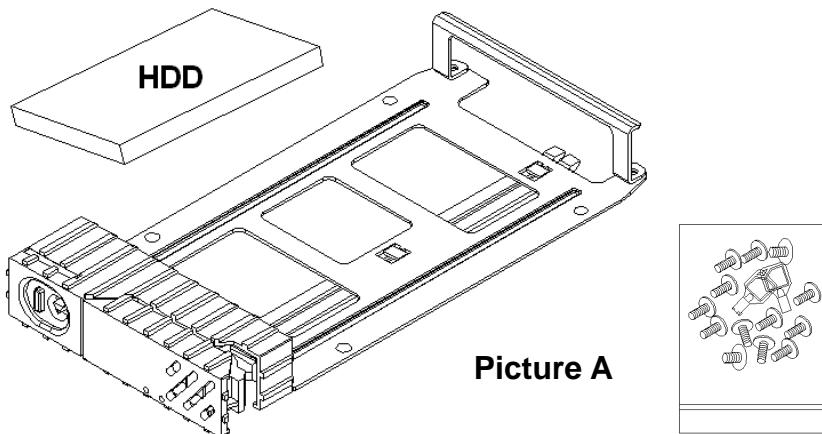
### Features of product ---

- Aluminum Frame
- Interface: Support SAS, SATA-I, SATA-II
- Form Factor: 1 x 5.25" Bay for 4 x 2.5" SAS & SATA Hard Disk Driver
- High performance transfer rate up to SAS 3Gb/s 、 SATA 1.5Gb/s 、 SATA 3Gb/s
- Support RAID 0,1,5 Functions (Need an optional SAS or SATA Raid Control Card)
- Plug & play, hot swappable
- Point to point, free from master/slave setting
- With 4Pin Power and 7PIN Signal connectors
- Cooling fan: Built-in 2 X 4cm(4020) FAN
- 2 LED for Power & HDD access
- Color for choice: black or beige
- Dim: 185(L) X 146(W) X 42(H) mm
- Weight : 0.7KG



Model : MR-SA1042

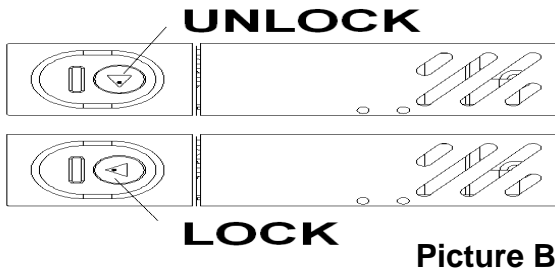
--Inner tray with heat dissipation holes--



Picture A

There are four screw holes at the bottom of each tray, use the screws(provided) to hold the HDD on the tray. (See Picture A)

---Safety Lock---



The safety lock safeguards the hard disk in the correct position and prevent it bouncing out while HDD is working. (See Picture B)

Picture B

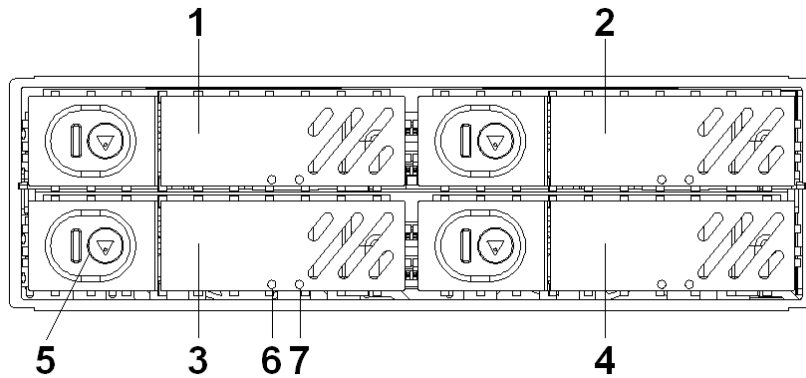
a) LOCK

Turn the key clockwise to horizontal way --- It is locked and do NOT try to press the push-button to take out the HDD.

b) UNLOCK

Turn the key Counter-clockwise vertically --- It is open and you are permitted to press the push - button to take out the HDD.

---Front Panel & Real View--- (See Picture C & D)



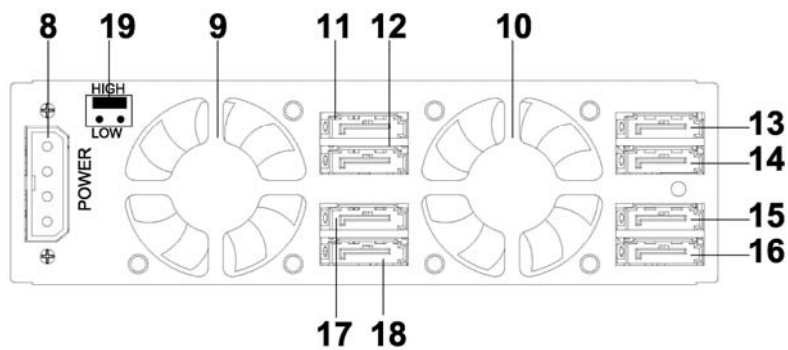
Picture C

C1--C4: HDD Tray

C5: Safety key lock

C6: Power LED (Green when power ON)

C7: HDD Access LED :(Amber while in activity)



Picture D

D8: 4pin Power connector

D9—D10: Cooling FAN

2nd (D11,D13,D15,D17): For SAS data port connections & advanced users.

PRI (D12,D14,D16,D18): For SATA data port connections

D19: FAN Switch : HIGH & LOW RPM Optional

Note: 1) For SATA HDDs, they are supported by PRI ports( D12,D14,D16,D18) only.

2) For SAS HDDs, they are supported both by PRI and 2nd.

3) Dual Channel SAS control card or Two System(PC) are requested --- If you want to use both Primary and secondary ports.